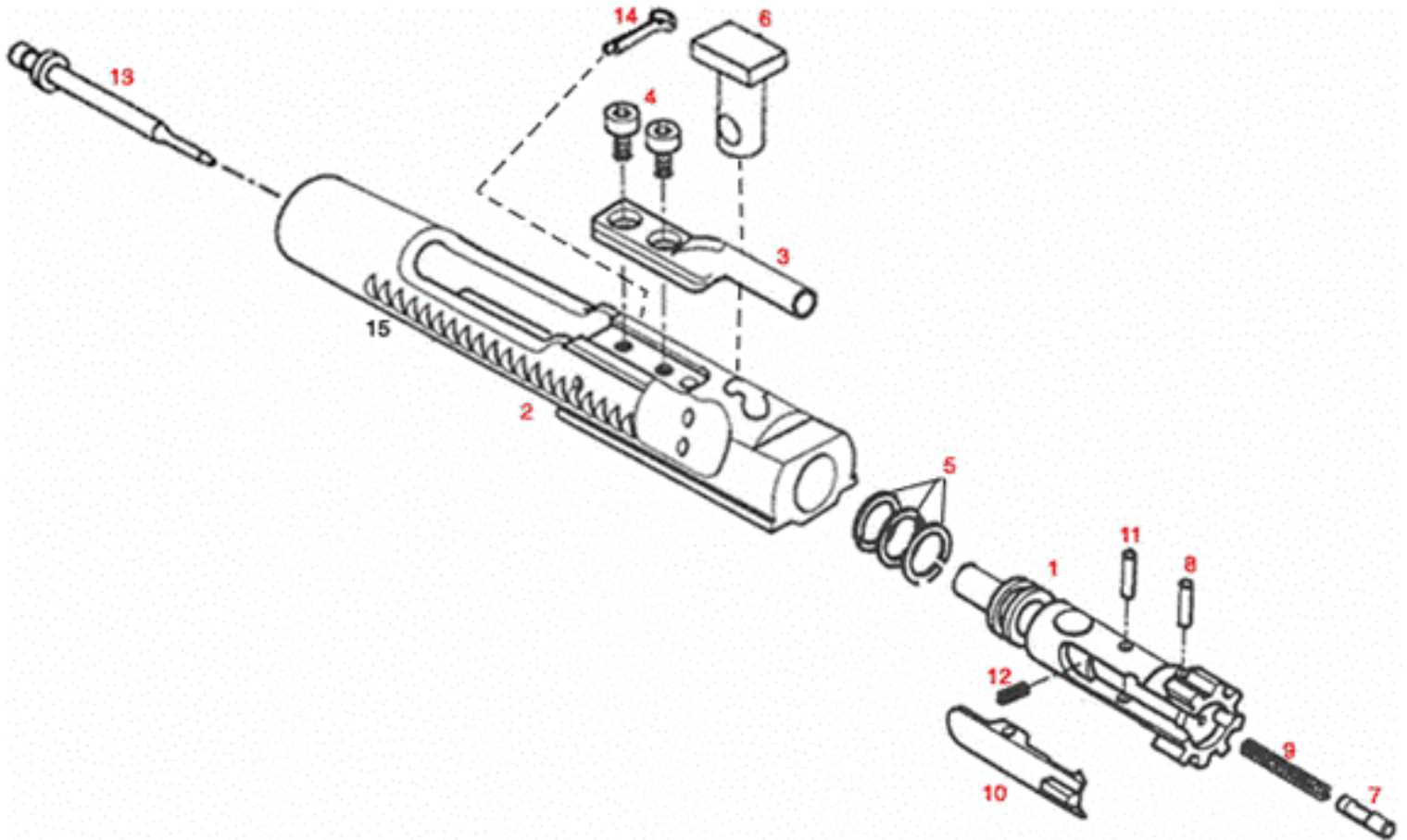


courtesy of DPMS and Brownells

# DPMS Bolt and Carrier

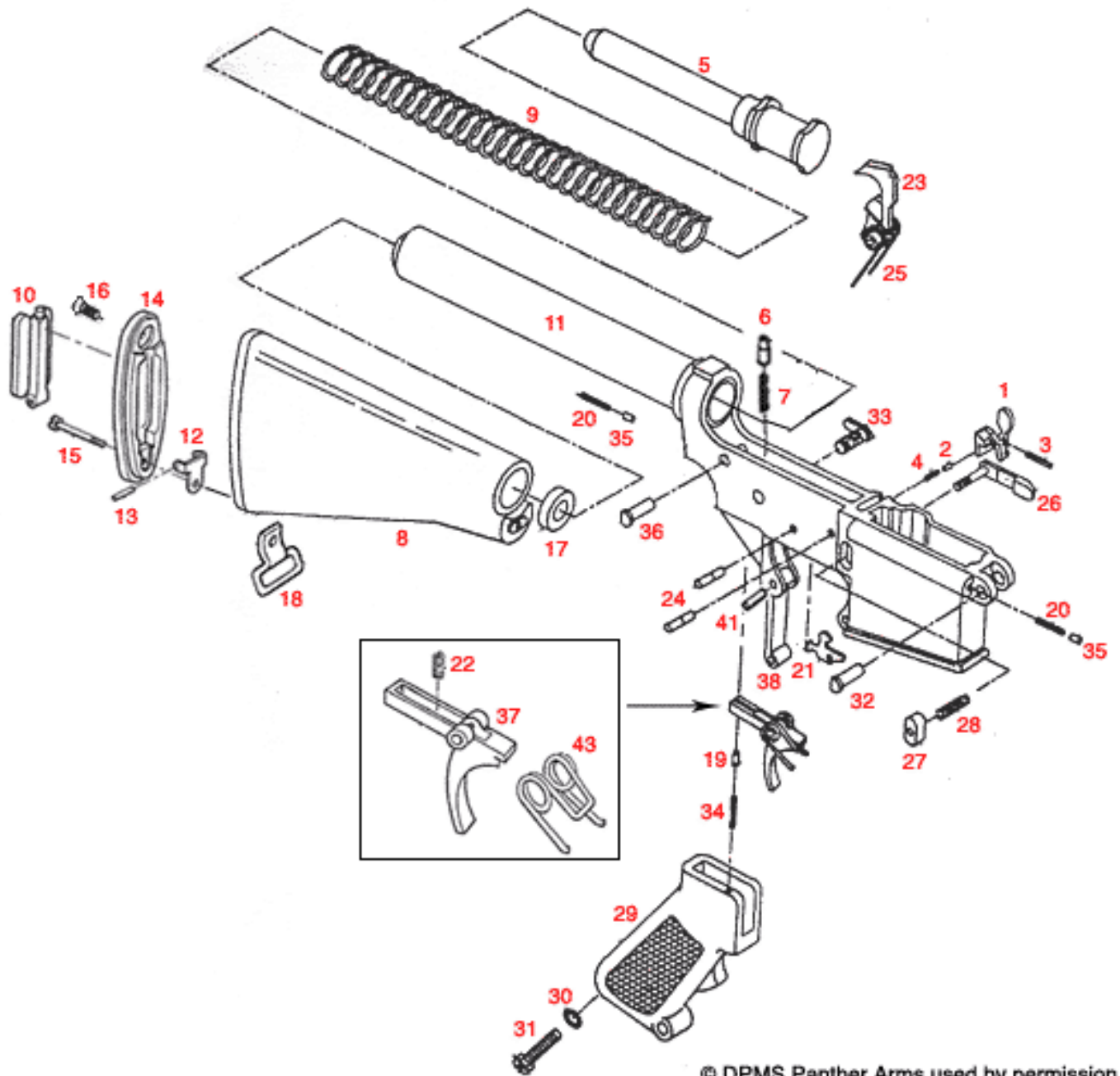


© DPMS Panther Arms used by permission

Ref#	Factory Part # Previous #	Product
1	BT02	Bolt
N/S	BCBAC1AS	Bolt & Carrier Combo, Chrome
N/S	BCBAT1AS	Bolt & Carrier Combo, TiN
N/S	BCBA1AS	Bolt Carrier Assembly
2	BT13	Bolt Carrier
3	BT11	Bolt Carrier Key
4	BT10	Bolt Carrier Key Screw
5	BT01	Bolt Gas Ring
6	BT17	Cam Pin

<b>N/S</b>	<b>BL06CW</b>	Crush Washer
<b>7</b>	<b>BT06</b>	Ejector
<b>8</b>	<b>BT04</b>	Ejector Roll Pin
<b>9</b>	<b>BT05</b>	Ejector Spring
<b>10</b>	<b>BT07</b>	Extractor
<b>11</b>	<b>BT03</b>	Extractor Pin
<b>12</b>	<b>BT08</b>	Extractor Spring Assembly w/Rubber Tip
<b>13</b>	<b>BT14</b>	Firing Pin, AR-15
<b>14</b>	<b>BT16</b>	Firing Pin Retaining Pin

## **DPMS Lower Complete Assembly**

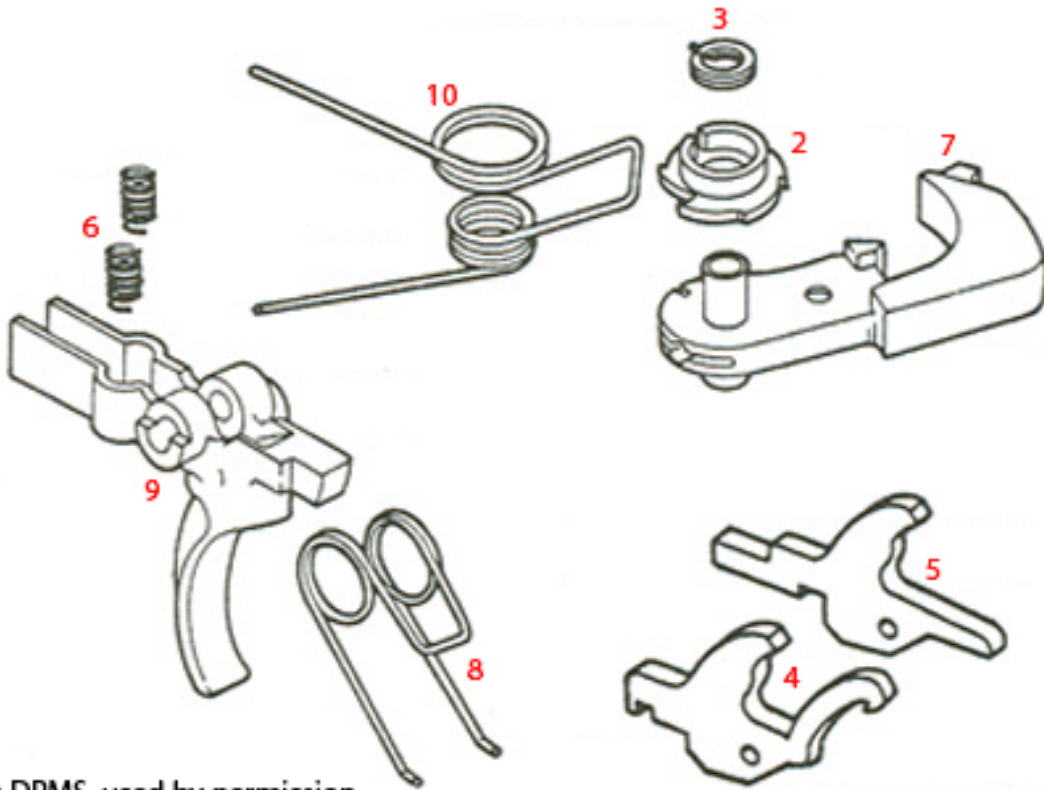


Ref#	Factory Part # Previous #	Product
1	LR11	Bolt Catch
2	LR10	Bolt Catch Buffer
3	LR12	Bolt Catch Roll Pin
4	LR09	Bolt Catch Spring
5	BS11	Buffer Body Assembly, Standard

6	LR01	Buffer Retainer
7	LR02	Buffer Retainer Spring
8	BS04	Butt Stock, A2
9	BS10B	Butt Stock Buffer Spring, Standard
10	BS01	Butt Stock Door Assembly
11	BS09	Butt Stock Extension Tube
12	BS03	Butt Stock Hinge
13	BS06	Butt Stock Hinge Pin
14	BS02	Butt Stock Plate
15	BS07	Butt Stock Screw, Lower, A2
16	BS14	Butt Stock Screw, Upper, A2
17	BS12	Butt Stock Spacer, Aluminum
18	BS05	Butt Stock Swivel, Rear
19	LR27	Detent, Selector
20	LR14	Detent Spring
21	LR19	Disconnecter
22	LR31	Disconnecter Spring
23	LR33	Hammer, Mil Spec
N/S	LR34A	Hammer, Hartford Horsey
24	LR29	Hammer Pin
25	LR32	Hammer Spring
26	LR13	Magazine Catch
27	LR17	Magazine Catch Button, Aluminum
28	LR16	Magazine Catch Spring
29	LR25	Pistol Grip, Black Plastic, A2
30	LR24	Pistol Grip Lock Washer
31	LR23	Pistol Grip Screw

32	LR18	Pivot Pin, Front
33	LR08	Safety Selector
34	LR26	Selector Spring
35	LR15	Take Down Detent
36	LR30	Take Down Pin, Rear
37	LR20	Trigger
37	LR21	Trigger
37	LR21A	Trigger, Hartford Horsey
38	LR03	Trigger Guard Assembly w/Pin
N/S	LR04A	Trigger Guard Detent
N/S	LR04B	Trigger Guard Detent Spring
41	LR04	Trigger Guard Pin
N/S	LR28	Trigger Pin
43	LR22	Trigger Spring

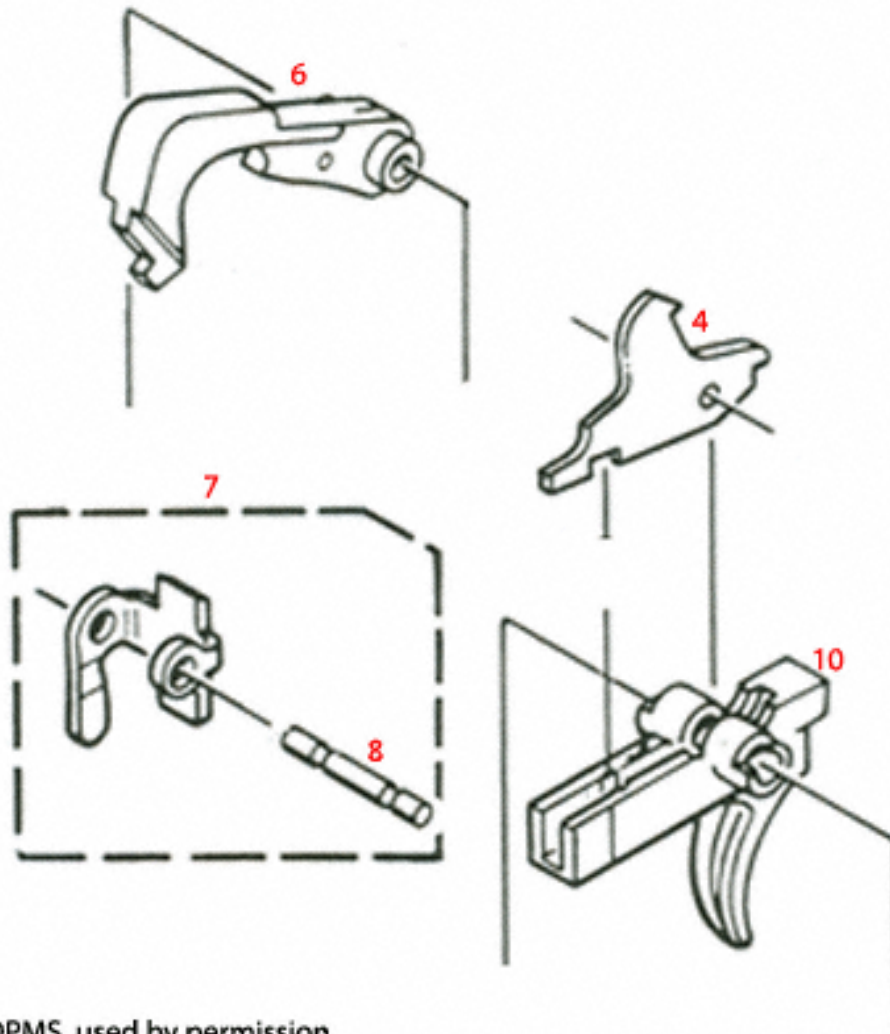
## EM-16 Burst



© DPMS, used by permission

Ref#	Factory Part # Previous #	Product
<b>N/S</b>	<b>BUTRI</b>	Tri Burst Kit
<b>2</b>	<b>BU01</b>	Cam, Burst
<b>3</b>	<b>BU09</b>	Cam Spring, Burst
<b>4</b>	<b>BU03</b>	Disconnect, Burst
<b>5</b>	<b>BU02</b>	Disconnect, Burst
<b>6</b>	<b>BU08</b>	Disconnect Spring, Burst, 2 ea.
<b>7</b>	<b>BU04</b>	Hammer, Burst
<b>8</b>	<b>BU05</b>	Hammer Spring, Burst
<b>9</b>	<b>BU06</b>	Trigger, Burst
<b>10</b>	<b>BU07</b>	Trigger Spring, Burst

# EM-16 Full Auto

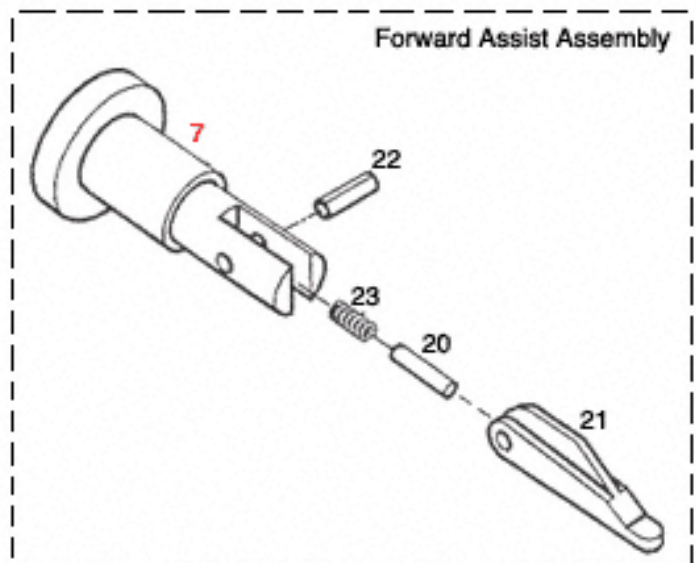
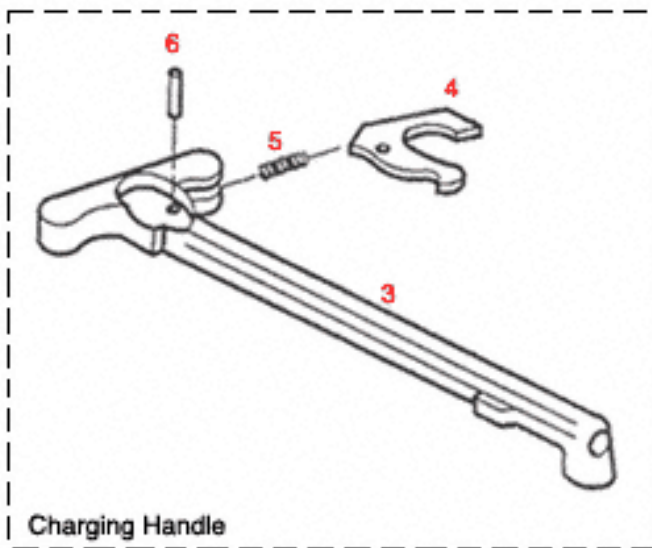
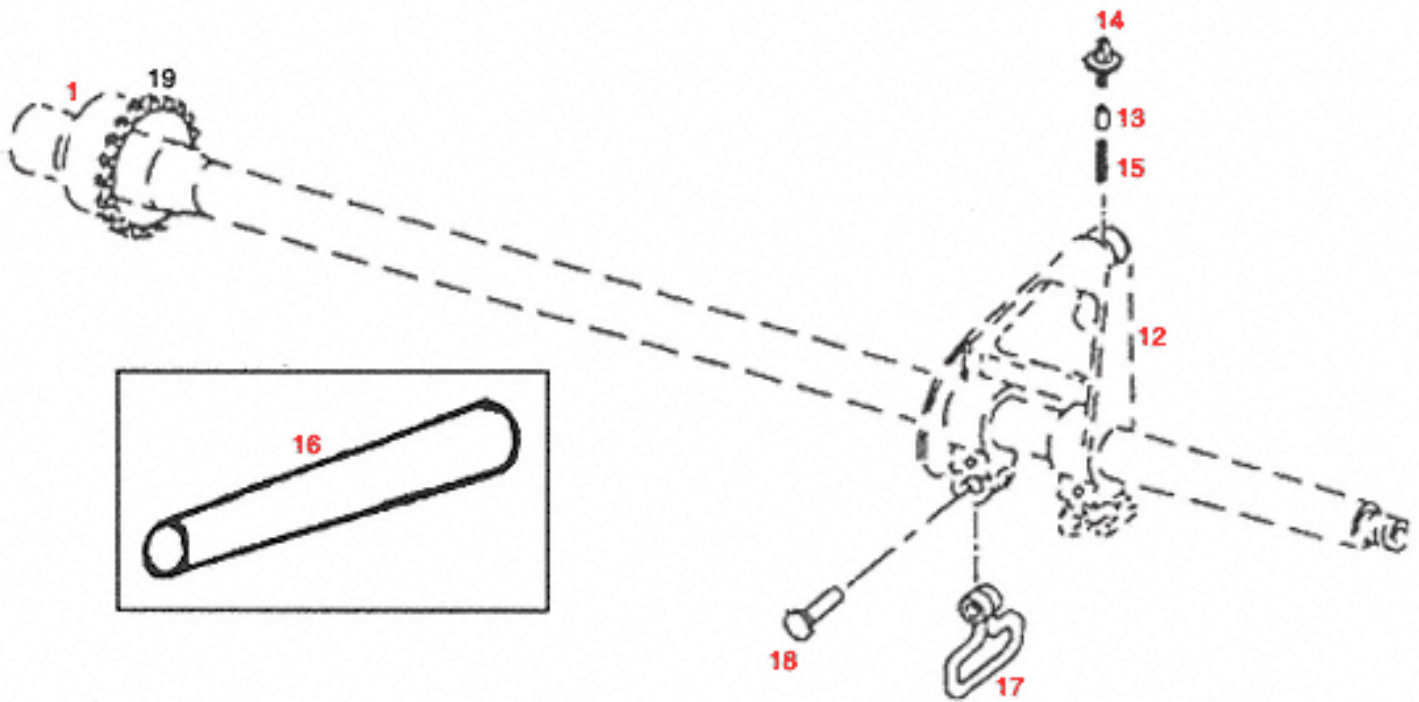


©DPMS, used by permission

Ref#	Factory Part # Previous #	Product
N/S	BT12	Bolt Carrier, M16
N/S	BCBA16AS	Bolt Carrier & Bolt Assembly, M16
N/S	BUTRI	Tri Burst Kit
4	LR19A	Disconnector, M16
N/S	BT15	Firing Pin, M16
6	LR34	Hammer, Mil Spec, M16

7	LRAS1	LR-AS1 Auto Sear, M16
8	LRAS2	LR-AS2 Auto Sear Pin, M16
N/S	LR08A	Selector, M16
10	LR21	Trigger

## Replacement Parts

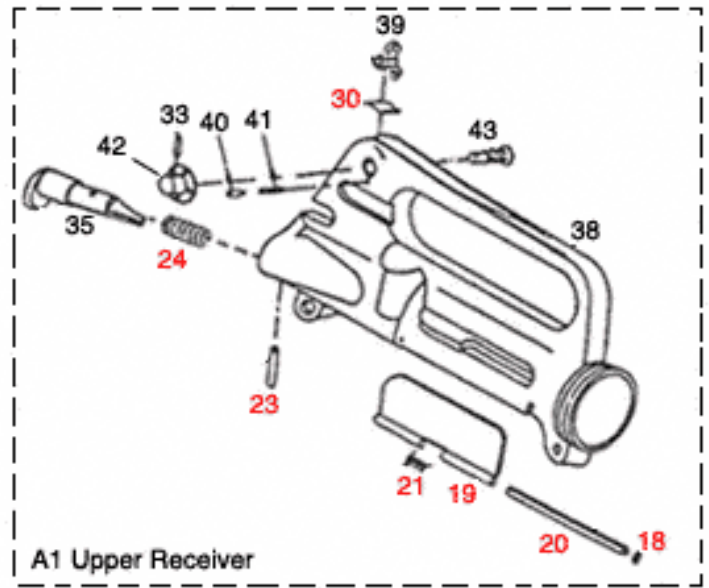
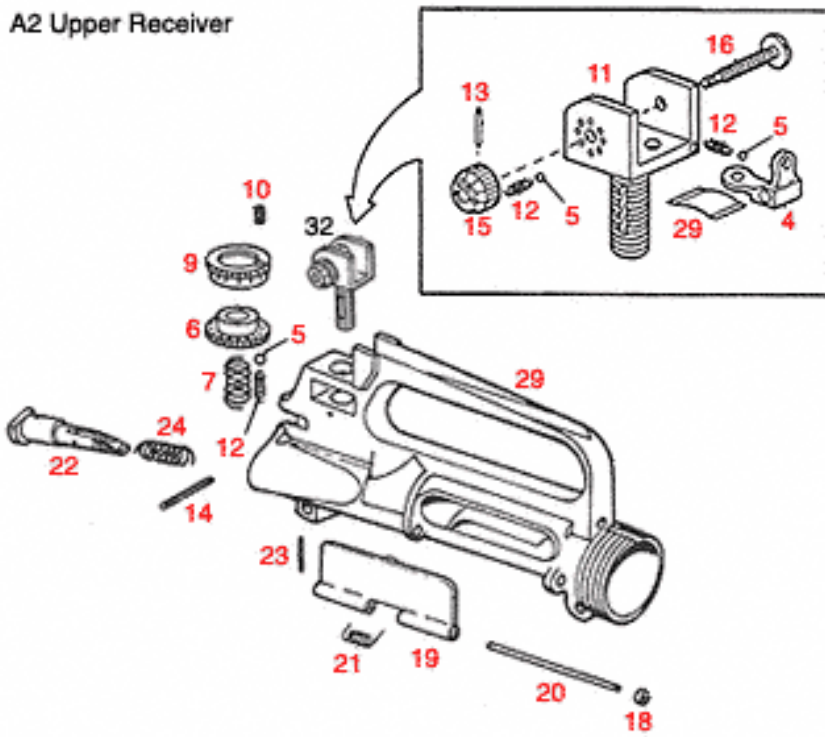


© DPMS Panther Arms used by permission

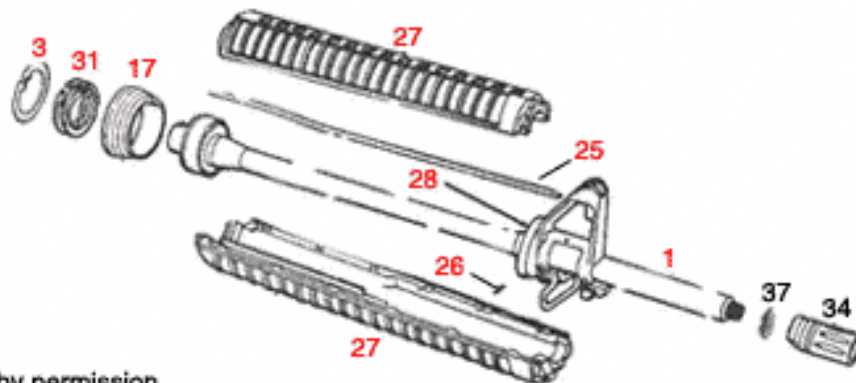
<b>Ref#</b>	<b>Factory Part # Previous #</b>	<b>Product</b>
<b>1</b>	<b>BL17</b>	Barrel Extension
<b>3</b>	<b>UR19B</b>	Charging Handle
<b>4</b>	<b>UR18</b>	Charging Handle Latch
<b>5</b>	<b>UR17</b>	Charging Handle Latch Spring
<b>6</b>	<b>UR16</b>	Charging Handle Roll Pin
<b>7</b>	<b>UR08R</b> UR08R	Forward Assist Assembly, Round
<b>12</b>	<b>BL18</b>	Sight, Front, w/Lug
<b>13</b>	<b>FS03</b>	Sight Detent, Front
<b>14</b>	<b>FS01</b>	Sight Post, Front, Square, A2
<b>15</b>	<b>FS04</b>	Sight Spring, Front
<b>16</b>	<b>FS06</b>	Sight Taper Pin, Front
<b>17</b>	<b>BL14</b>	Swivel, Front
<b>18</b>	<b>BL15</b>	Swivel Rivet, Front
	#19 Barrel Nut	
	#20 Forward Assist Detent	
	#21 Forward Assist Pawl	
	#22 Forward Assist Pawl Roll Pin	
	#23 Forward Assist Pawl Spring	

## Upper Receiver & Barrel Assembly

A2 Upper Receiver



A2 Barrel Assembly



© DPMS Panther Arms used by permission

Factory Part #	Stock Number	Product
1	BL11	Barrel
1	BAA3AS16	Barrel Assembly, 16", A3 Pre Ban
1	NONE BAM416	Barrel Assembly, 16", M4
3	BL07	Barrel Snap Ring
4	UR27	Base Aperture, Rear, A2
5	UR25	Base Ball Bearing, Rear, 3 Req'd

6	UR34	Base Elevation Knob, Rear, A2
7	UR31	Base Elevation Knob Spring, Rear
9	UR33	Base Index Elevation, Rear
10	UR32	Base Index Screw, Rear, A2
11	UR29	Base Lug, Rear, A2
12	UR24	Base Spring, Rear, 3 Req'd
13	UR22	Base Spring Pin, Rear
14	UR30	Base Spring Pin, Rear
15	UR23	Base Windage Knob, Rear
16	UR26	Base Windage Knob Screw, Rear
N/S	BL06CW	Crush Washer
17	BL09	Delta Ring, Black/Gray
18	UR02	Ejection Hinge Pin Snap Ring
19	UR04	Ejection Port Cover
20	UR03	Ejection Port Cover Pin
21	UR05	Ejection Port Cover Spring
22	UR08R UR08R	Forward Assist Assembly, Round
23	UR06	Forward Assist Pin
24	UR07	Forward Assist Spring
25	BL04A	Gas Tube
25	BL04	Gas Tube, Standard
26	BL03	Gas Tube Roll Pin
27	BL01M	Handguard, Long, Round, A2
27	BLHGAP4 BLHGM4	Handguard, M4

<b>27</b>	<b>BL02</b>	Handguard, Short, Round
<b>28</b>	<b>BL19A</b>	Handguard Cap, Triangular
<b>28</b>	<b>BL19</b>	Handguard Caps, Round
<b>29</b>	<b>UR36</b>	Receiver, Upper, Black Teflon
<b>30</b>	<b>UR28</b>	Sight Spring, Rear, Flat, A2
<b>31</b>	<b>BL08</b>	Weld Spring, Barrel
#32 Base Sight Assembly, Rear		
#33 Base Spring Pin, A1		
#34 Compensator		
#35 Forward Assist Assembly, Tear Drop		
#37 Peel Washer		
#38 Receiver, A1		
#39 Sight Aperture, Rear, A1		
#40 Sight Detent, A1		
#41 Sight Detent Spring, A1		
#42 Sight Windage Drum, A1		
#43 Sight Windage Screw, A1		